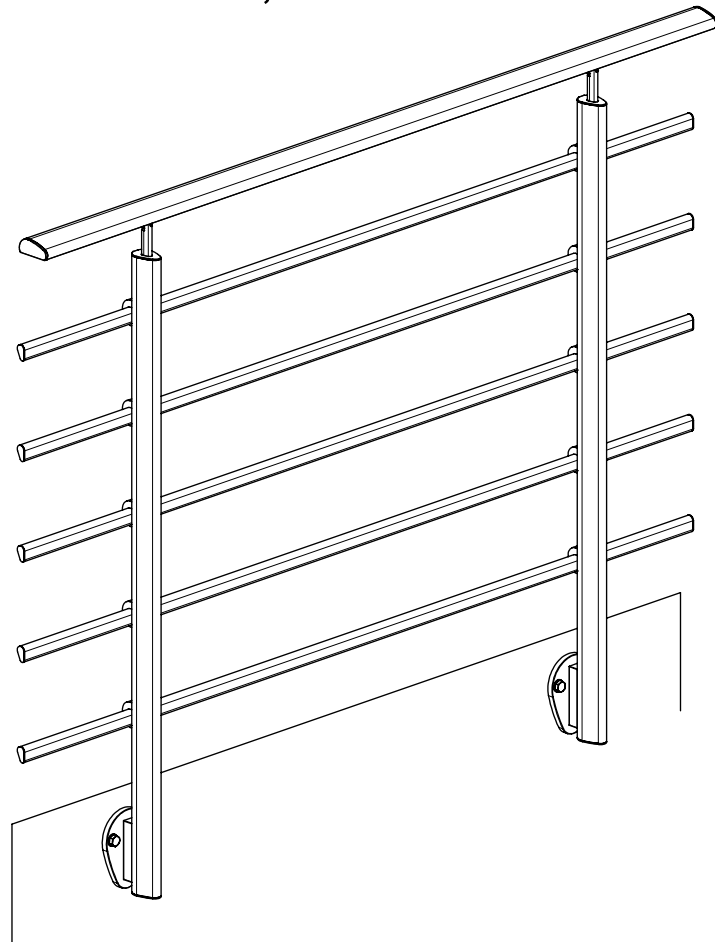
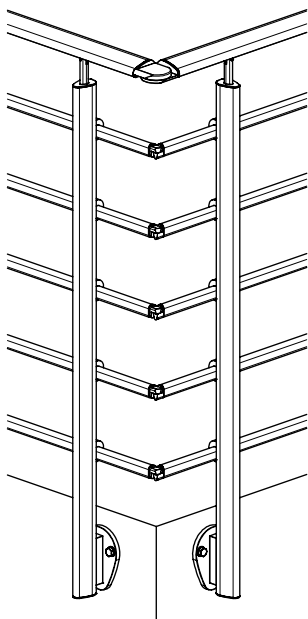


# PA15W / PB15W

1,5 m

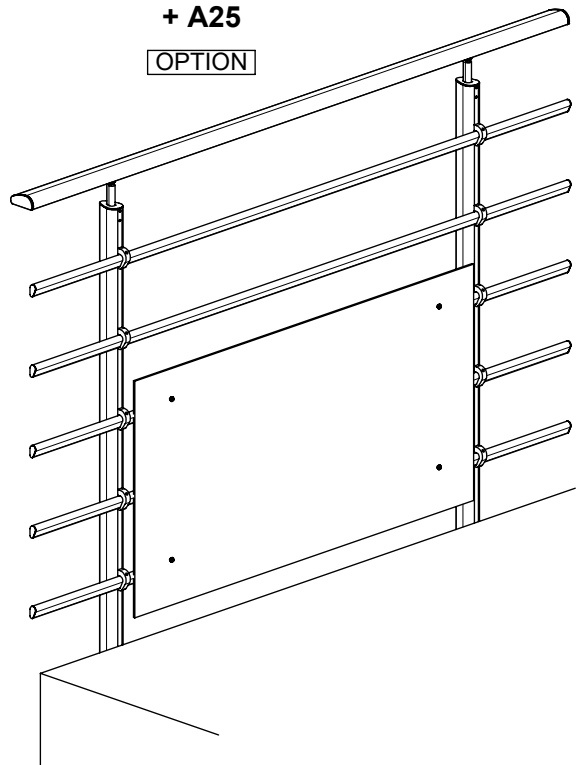


PAC / PBC  
OPTION

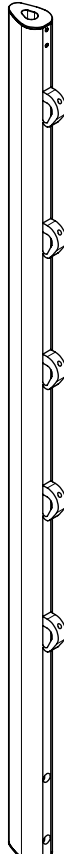



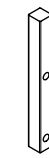

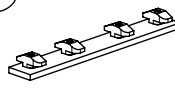
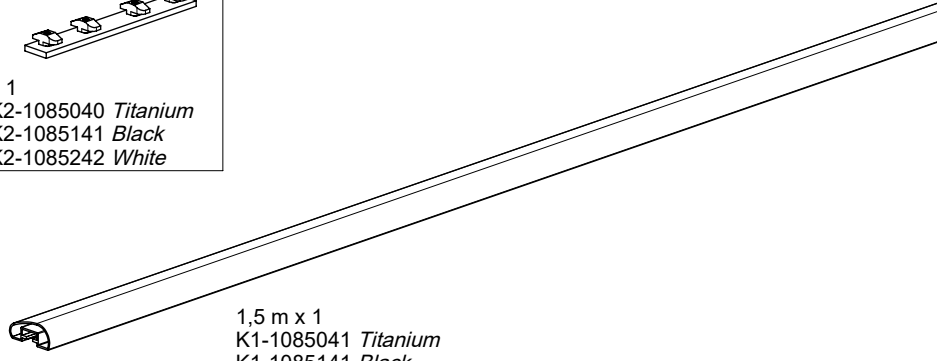

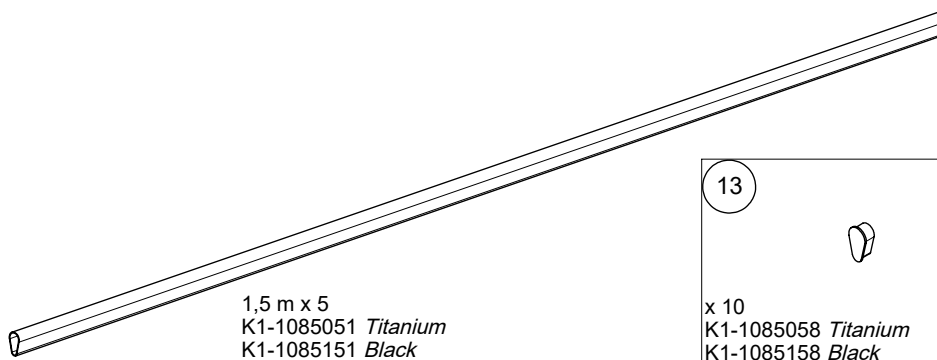
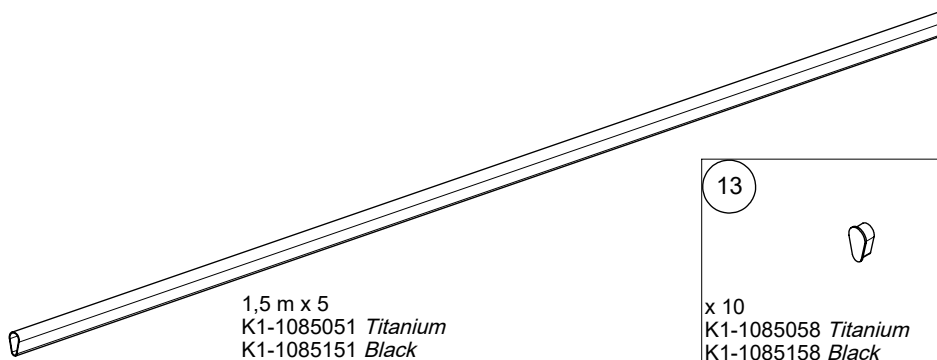

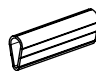


PA13 / PB13  
+ A25

OPTION

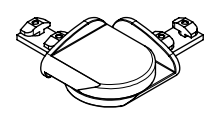
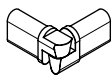


**PA15W / PB15W**

<p>1</p>  <p>x 2 K2-1085002 <i>Titanium</i> K2-1085102 <i>Black</i> K2-1085202 <i>White</i></p>	<p>2</p>  <p>x 2 K2-1085018 <i>Titanium</i> K2-1085118 <i>Black</i> K2-1085218 <i>White</i></p>	<p>3</p>  <p>x 2 K1-1085021 <i>Titanium</i> K1-1085121 <i>Black</i> K1-1085221 <i>White</i></p>	<p>4</p>  <p>x 2 K1-1085022 <i>Titanium</i> K1-1085122 <i>Black</i> K1-1085222 <i>White</i></p>	<p>5</p>  <p>x 2 K1-1085023</p>	<p>6</p>  <p>x 4 K3-02146 M10 x 60</p>
<p>7</p>  <p>x 1 K2-1085040 <i>Titanium</i> K2-1085141 <i>Black</i> K2-1085242 <i>White</i></p>		<p>8</p>  <p>1,5 m x 1 K1-1085041 <i>Titanium</i> K1-1085141 <i>Black</i> K1-1085241 <i>White</i></p>			<p>9</p>  <p>Droite Rechts Derecha</p> <p>x 1 K2-1085048 <i>Titanium</i> K2-1085148 <i>Black</i> K2-1085248 <i>White</i></p>
<p>11</p>		<p>12</p>  <p>x 5 K1-1085059</p>			<p>10</p>  <p>Gauche Links Izquierda</p> <p>x 1 K2-1085049 <i>Titanium</i> K2-1085149 <i>Black</i> K2-1085249 <i>White</i></p>
<p>13</p>  <p>x 10 K1-1085058 <i>Titanium</i> K1-1085158 <i>Black</i> K1-1085258 <i>White</i></p>		<p>14</p>  <p>x 1 K3-90001</p>			

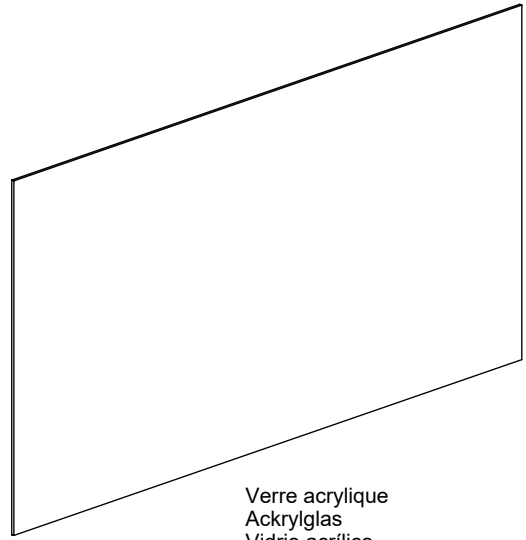
**PAC / PBC**

OPTION

<p>20</p>  <p>x 1 K2-1085060 <i>Titanium</i> K2-1085160 <i>Black</i> K2-1085260 <i>White</i></p>	<p>21</p>  <p>x 5 K2-1085062 <i>Titanium</i> K2-1085162 <i>Black</i> K2-1085262 <i>White</i></p>
---	---



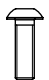
**A25**

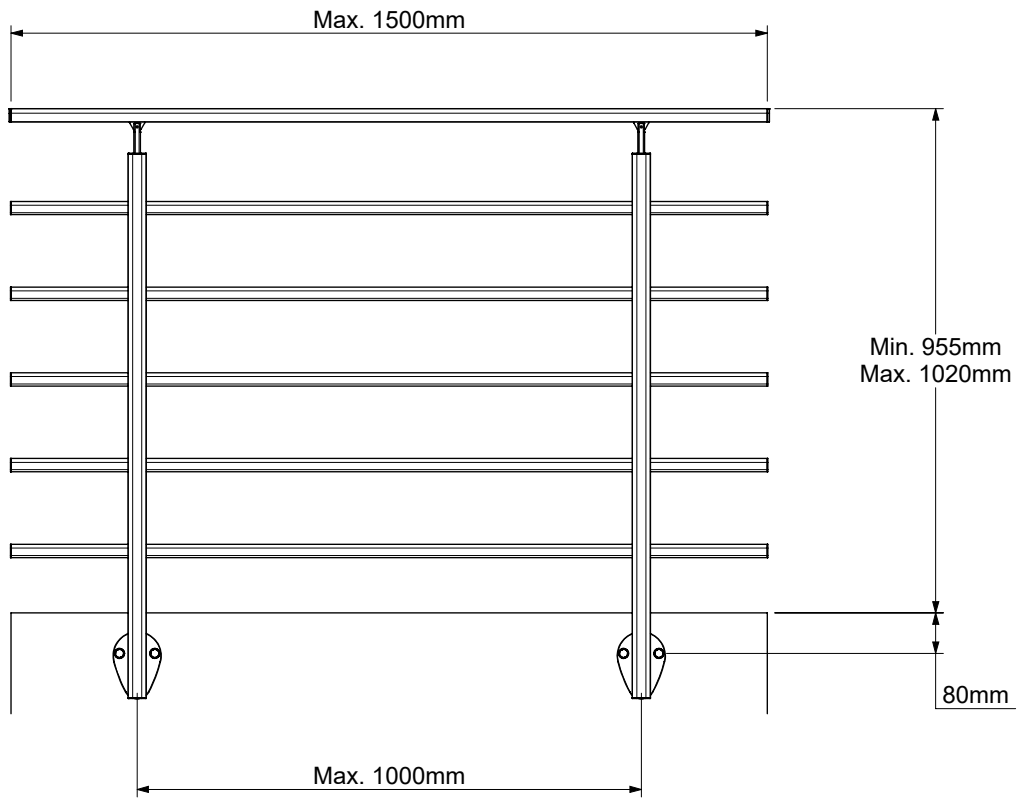
OPTION

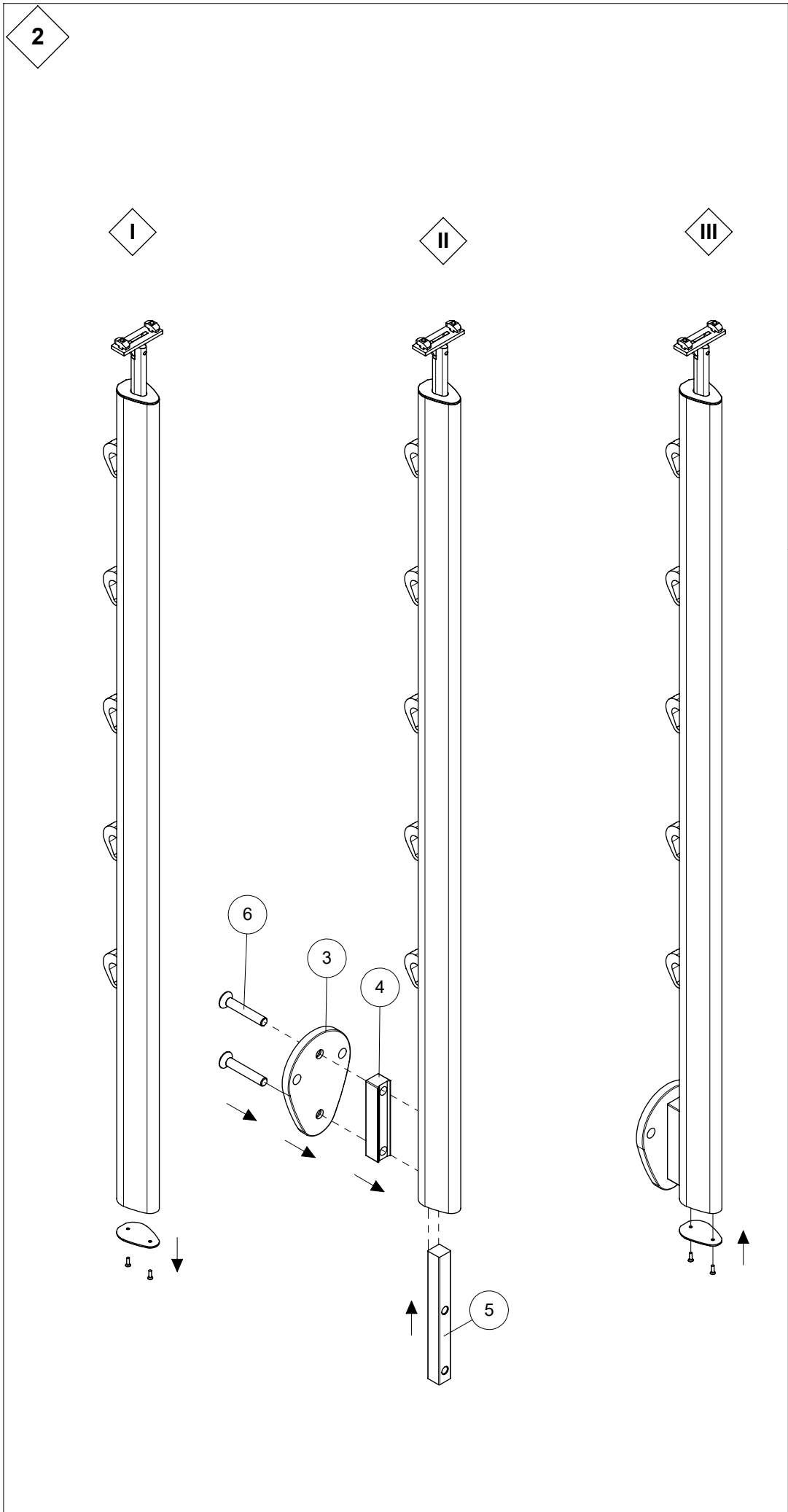
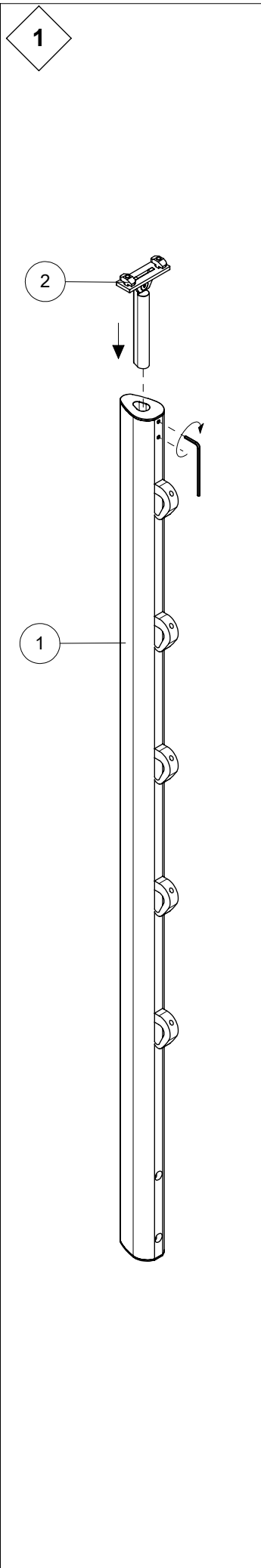
 <p>Verre acrylique Ackrylglas Vidrio acrílico</p>
--

**PA13 / PB13**

OPTION

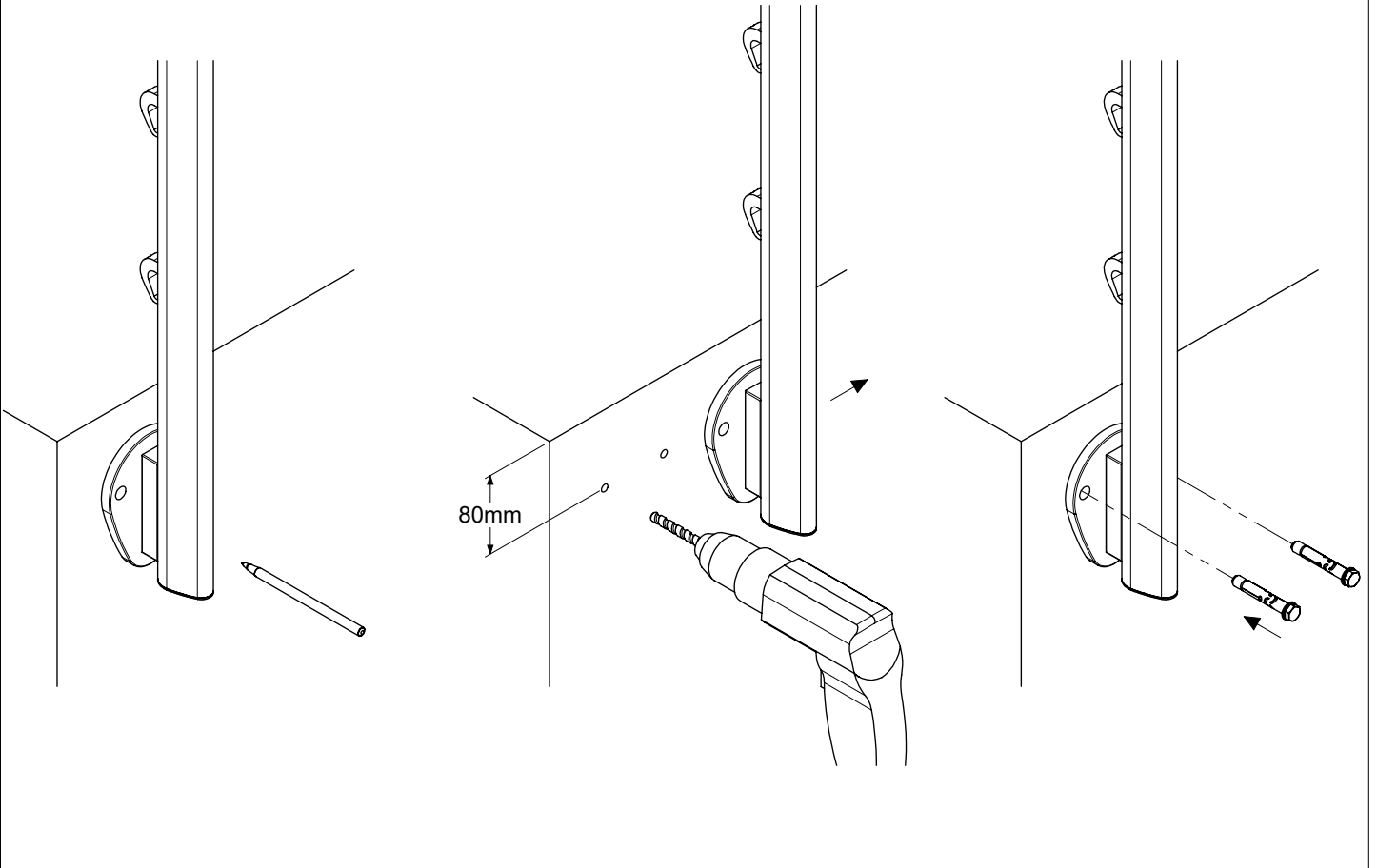
<p>30</p>  <p>x 4 K1-1085098 <i>Titanium</i> K1-1085198 <i>Black</i> K1-1085298 <i>White</i></p>	<p>31</p>  <p>x 8 K3-04325 Ø5 x 2</p>	<p>32</p>  <p>x 4 K3-02172 M5 x 16</p>
---	--	---





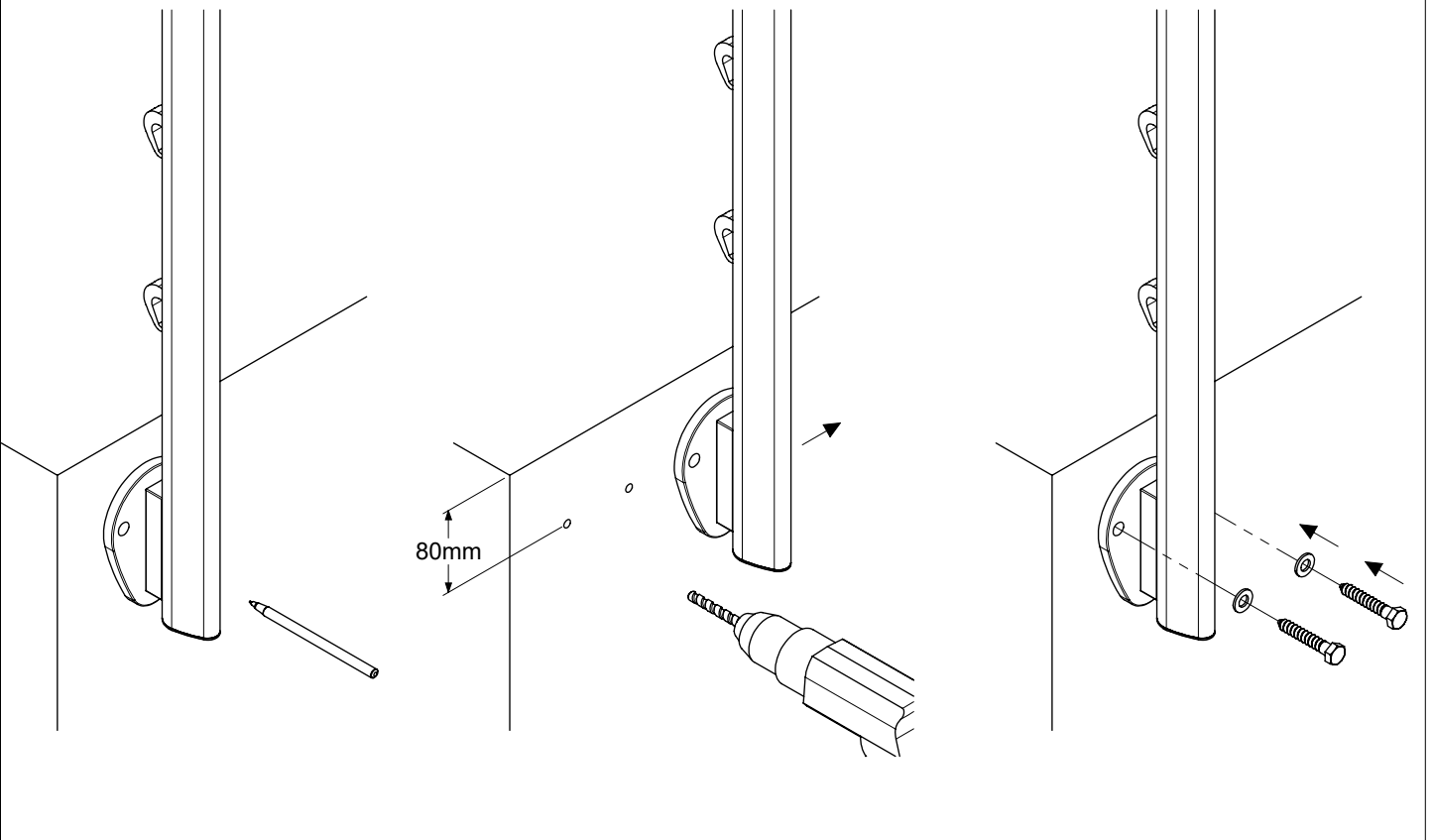
3

Alt  
A

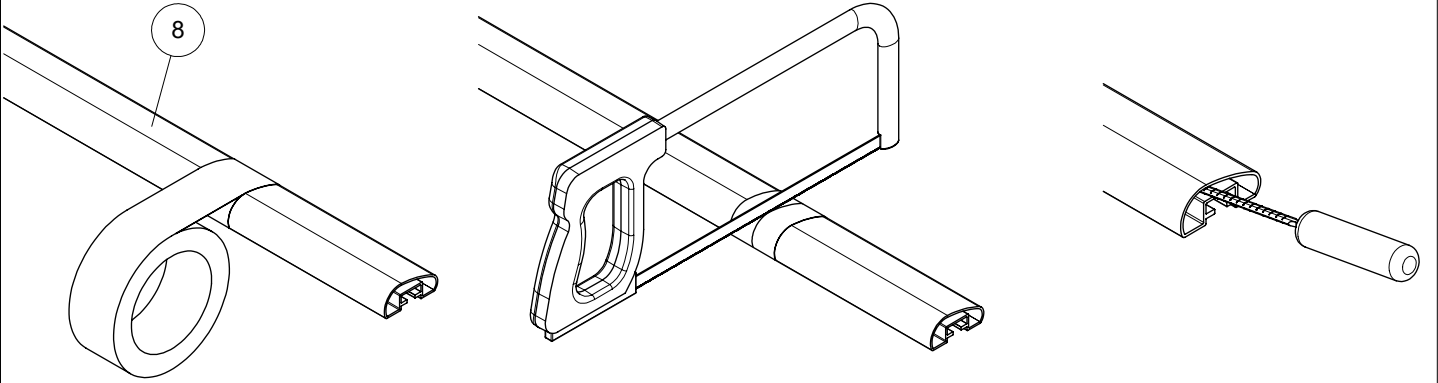


3

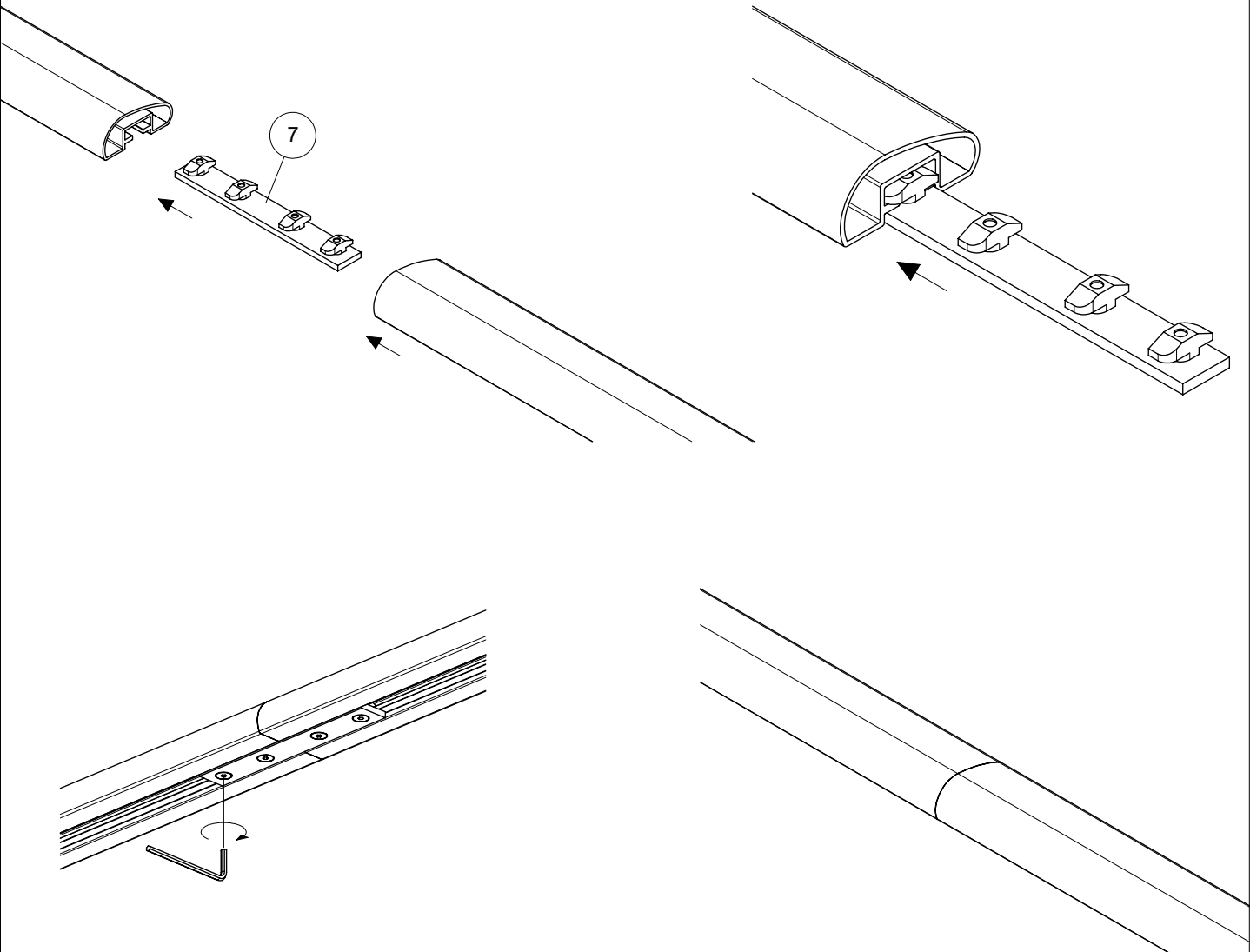
Alt  
B

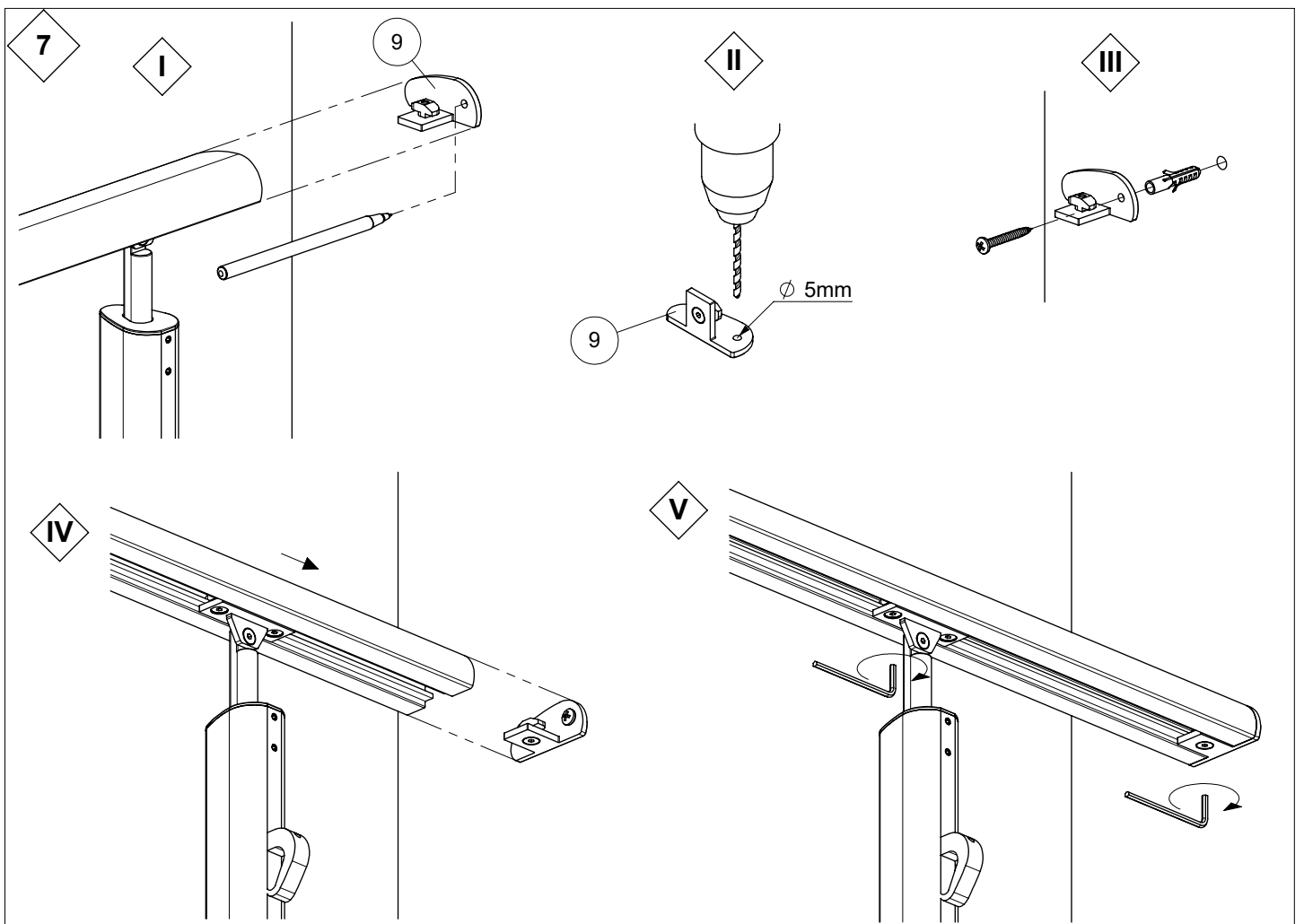
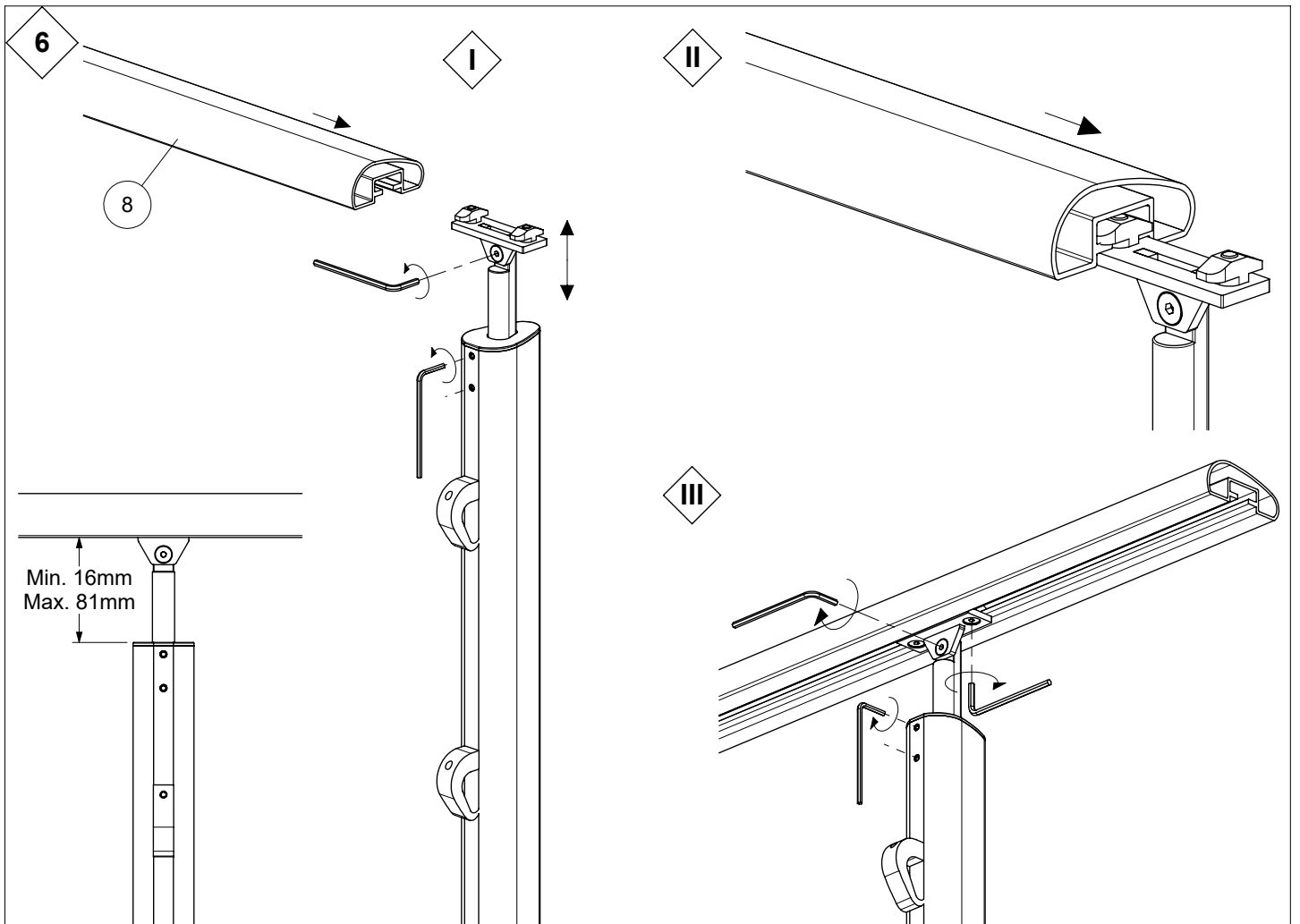


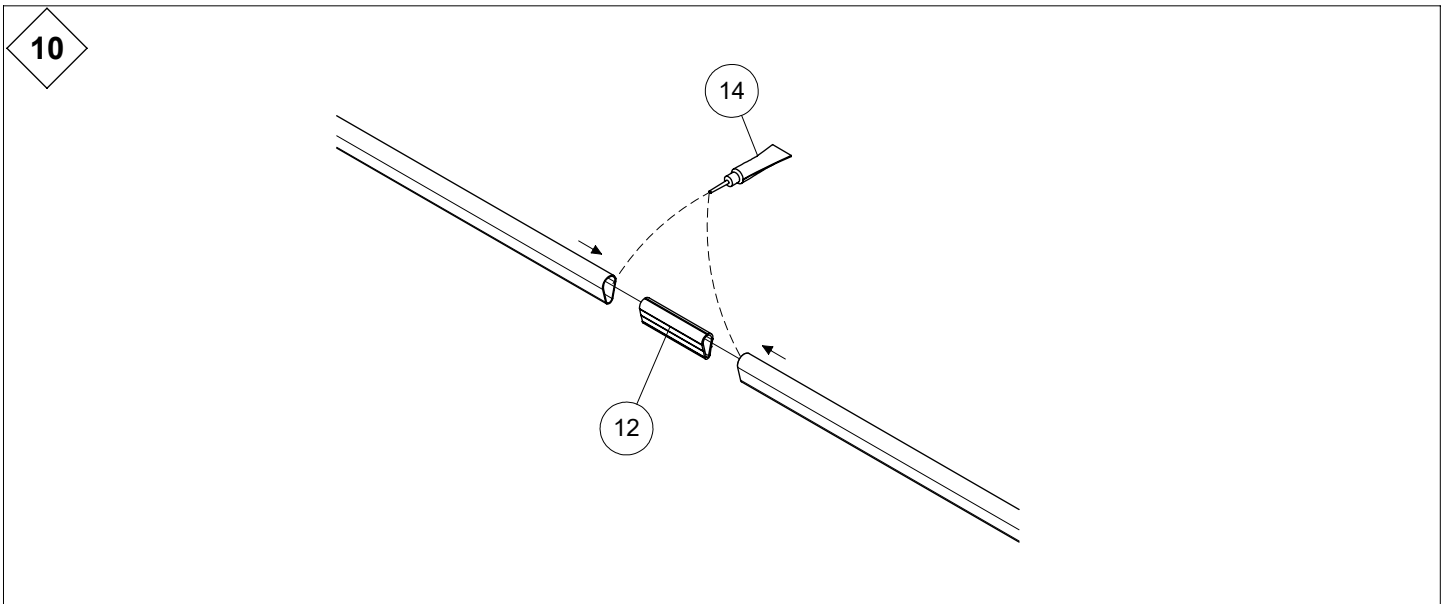
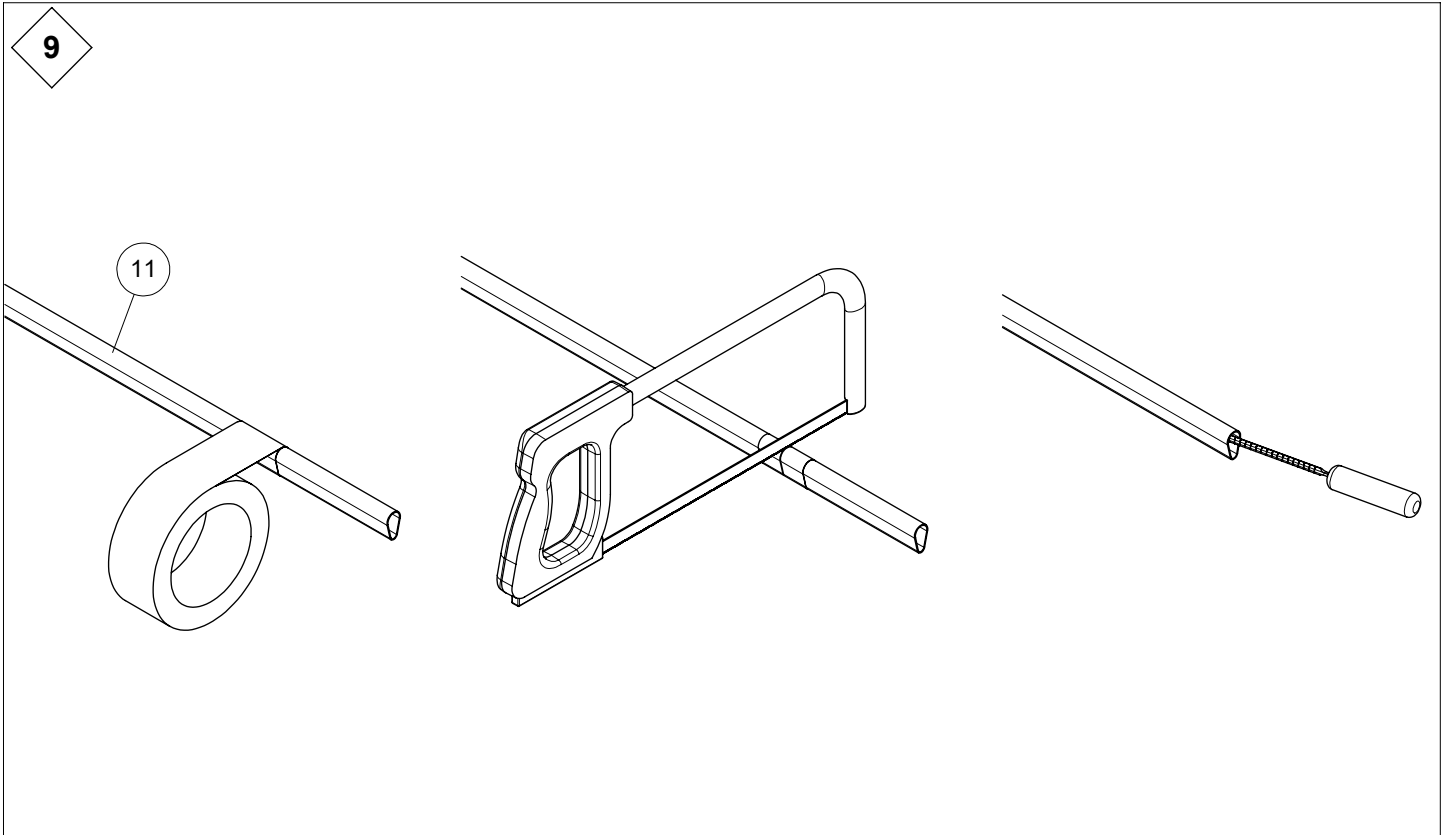
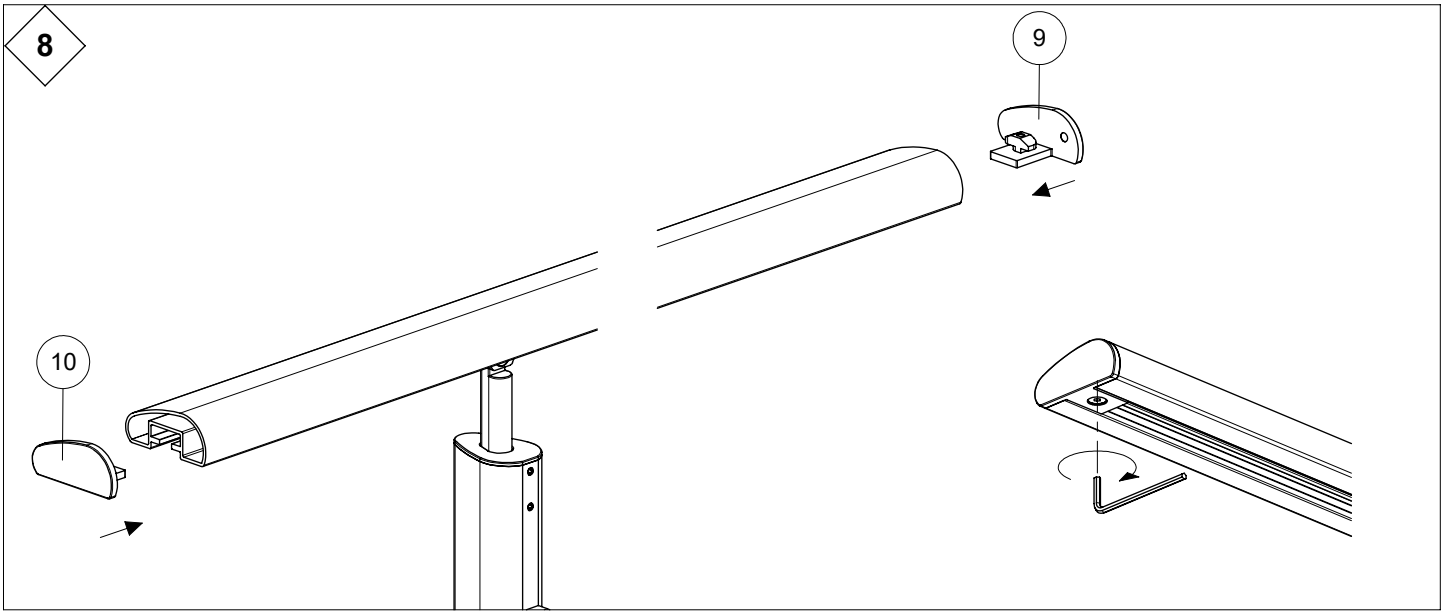
4



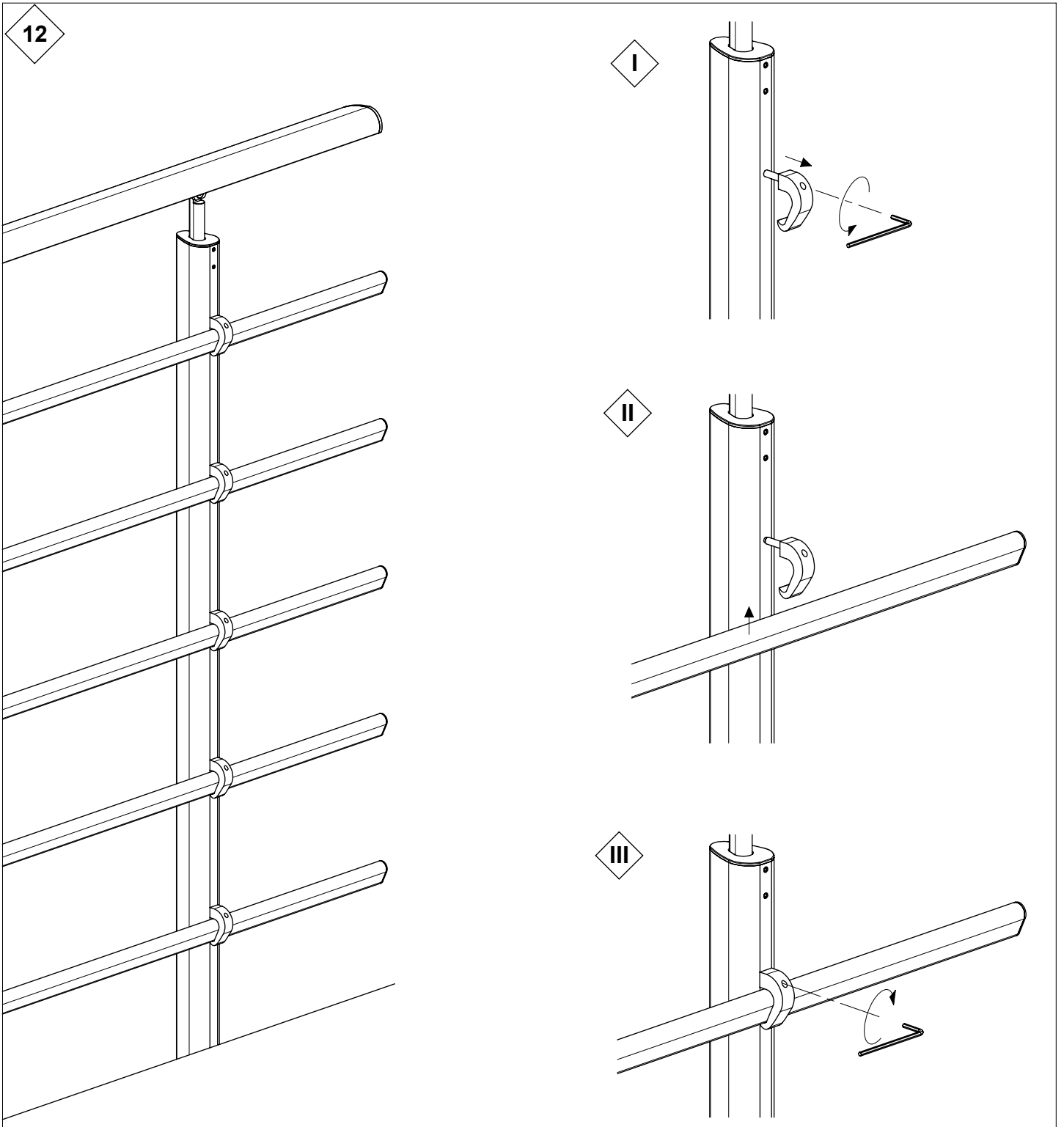
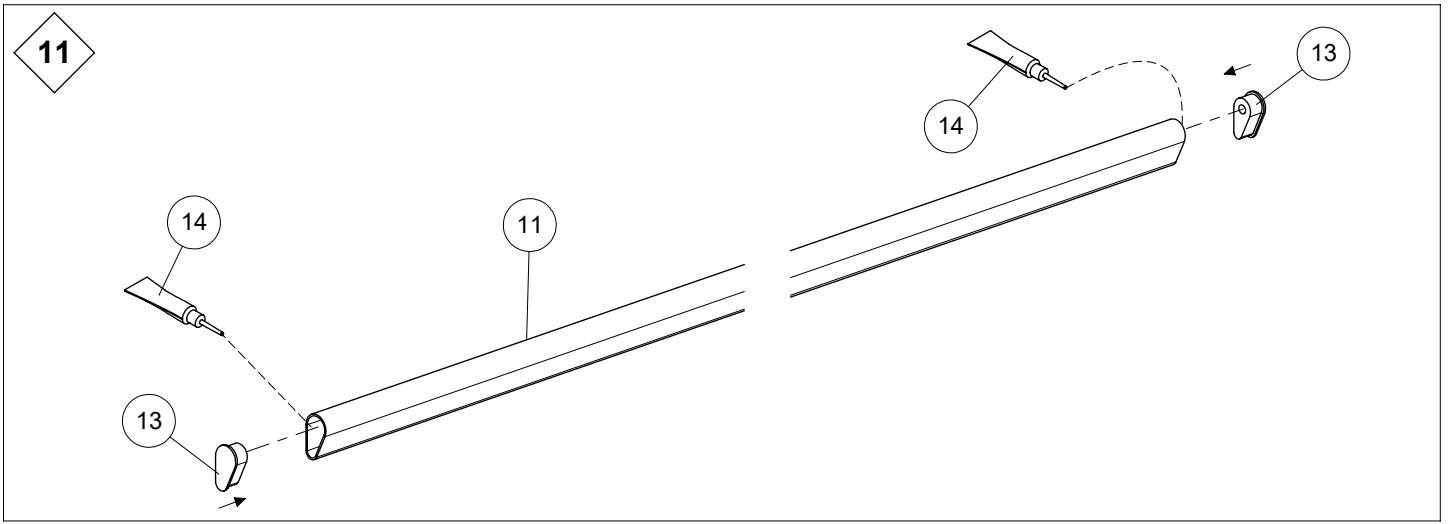
5



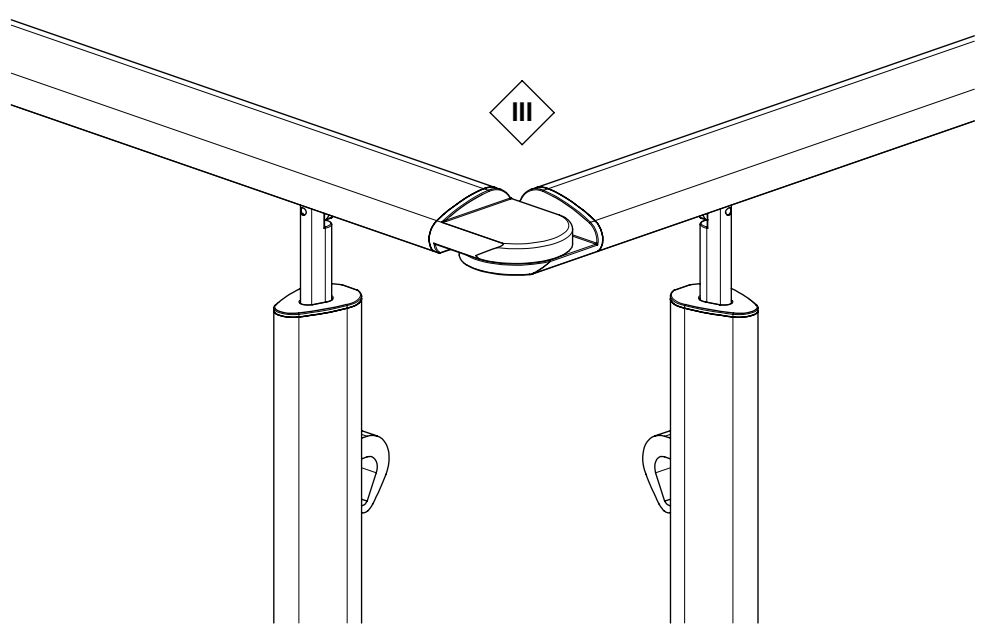
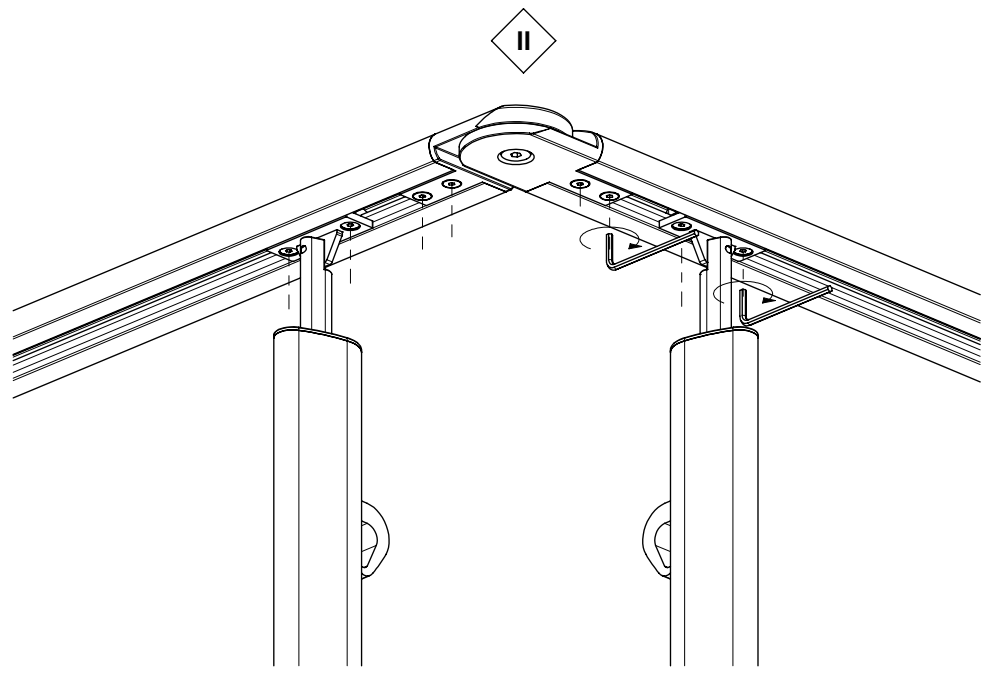
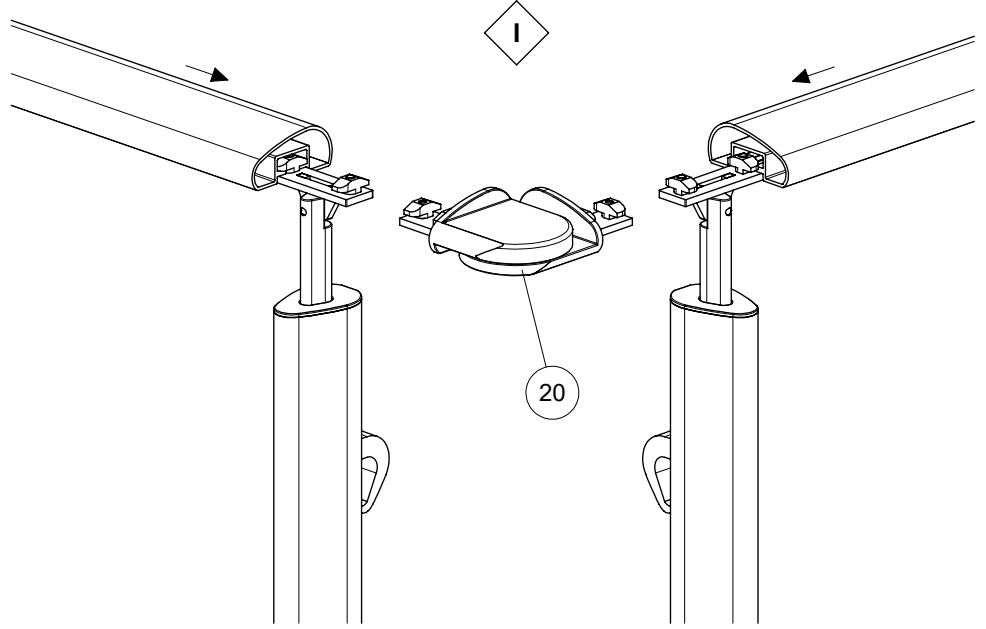
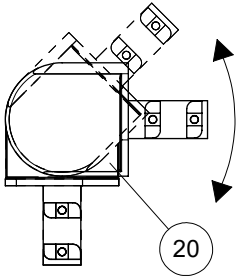




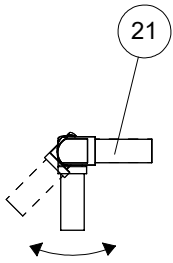




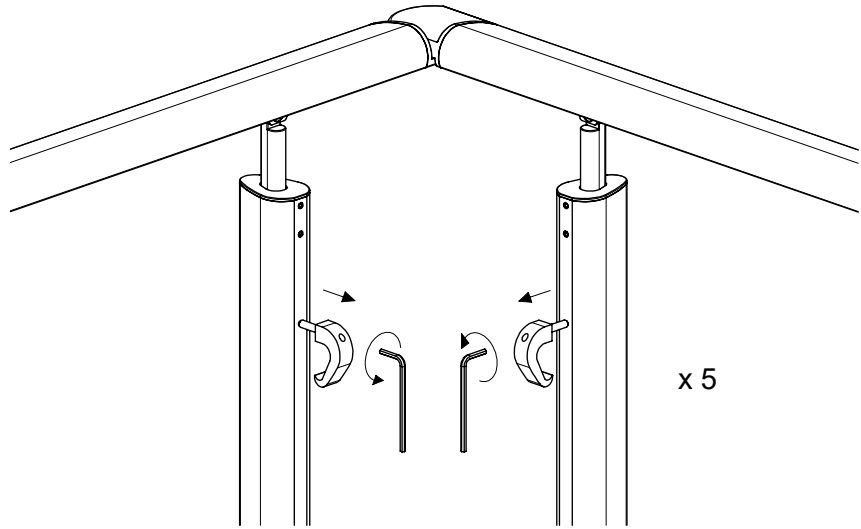
**13** PAC / PBC  
OPTION



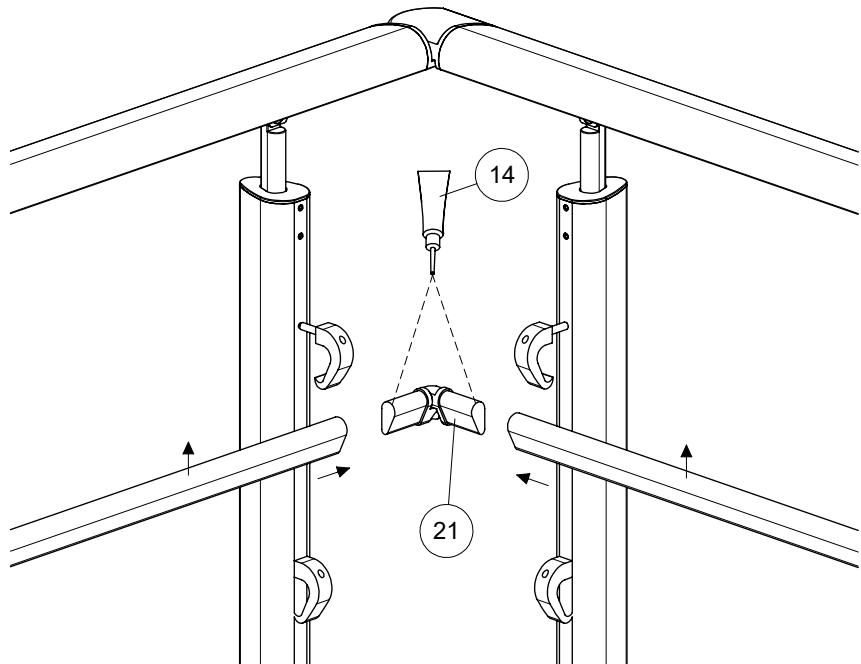
**14** PAC / PBC  
OPTION



I



II



III

